



Screw M8 x 95 mm (3.74 in) for metal plug

In the impact of a fire in a tunnel the cable should remain functional as long as possible. Special fire resistant clamp type has been developed for keeping the RADIAFLEX® cable attached as long as possible onto the wall. It also prevents the cable from detaching from the wall that might block any escape route. Fire resistant clips (RSB clips) are made of metal and fixed with screws to the wall using metal plugs. In case of fire the round base will melt. But the fixation will hold the cable in position and enables the cable to keep in operation as long as the cable itself allows. The recommended spacing is 8 □ 10 m (26 □ 33 ft) for both kinds of installation. The hole of the round base must be drilled to 8.5 mm (0.335 in) before mounting the screw.



FEATURES / BENEFITS

Stainless steel, A4, for RSB clip with round base RB 80-4

Technical Features

STRUCTURE

Product Line		Radiating Cable Accessories
Product Type		Installation Hardware
Installation Hardware Type		Screw
Transmission Line Type		RADIAFLEX® cable with copper foil as outer conductor, all sizes, cable type RLK, RLV and RAY
Coaxial Cable Type		Radiating Cable
Cable Size		1/2" 7/8" 1-1/4" 1-5/8"
Configuration		Screw for RSB clip

MECHANICAL SPECIFICATIONS

Material		Stainless Steel, A4
Thread	mm (in)	M8
Length	mm (in)	95 (3.74)

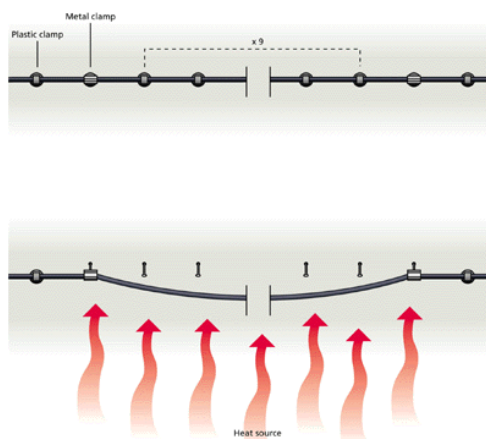
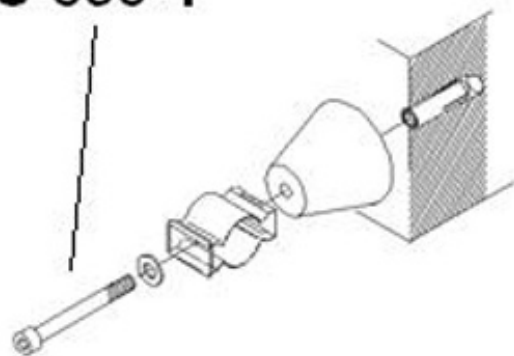
TEMPERATURE SPECIFICATIONS

Installation Temperature	°C (°F)	-50 to 85 (-58 to 185)
Operation Temperature	°C (°F)	-50 to 85 (-58 to 185)
Storage Temperature	°C (°F)	-50 to 85 (-58 to 185)

PACKAGING INFORMATION

Package Quantity		100
------------------	--	-----

S-895-1



External Document Links

Notes