



Screw M8 x 65 mm (2.56 in) for metal plug

Product Description

In the impact of a fire in a tunnel the cable should remain functional as long as possible. Special fire resistant clamp type has been developed for keeping the RADIAFLEX® cable attached as long as possible onto the wall. It also prevents the cable from detaching from the wall that might block any escape route. Fire resistant clips (RSB clips) are made of metal and fixed with screws to the wall using metal plugs. In case of fire the round base will melt. But the fixation will hold the cable in position and enables the cable to keep in operation as long as the cable itself allows. The recommended spacing is 8 ? 10 m (26 ? 33 ft) for both kinds of installation. The hole of the round base must be drilled to 8.5 mm (0.335 in) before mounting the screw.

Features/Benefits

Stainless steel, A4, for RSB clip with round base RB 50-4

Technical Specifications

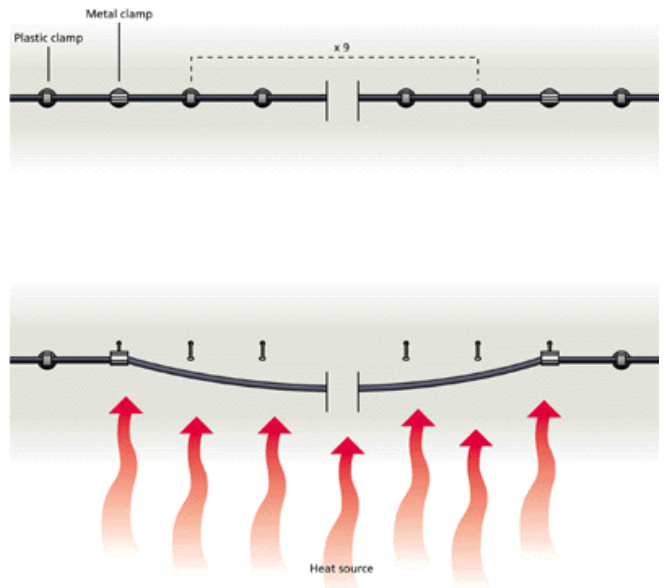
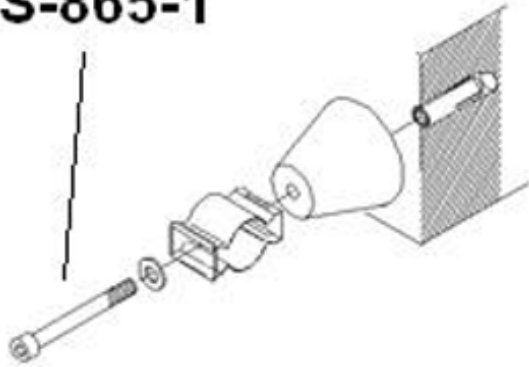
Product Line	Radiating Cable Accessories
Product Type	Installation Hardware
Installation Hardware Type	Screw
Transmission Line Type	RADIAFLEX® cable, all sizes, cable type ALF, RLF, RSF and RCF
Coaxial Cable Type	Radiating Cable
Cable Size	1/2", 7/8", 1-1/4", 1-5/8"
Configuration	Screw for RSB clip
Material	Stainless Steel, A4
Thread	M8
Length, mm (in)	65 (2.56)
Installation Temperature, Å°C(Å°F)	-50 to 85 (-58 to 185)
Operation Temperature, Å°C(Å°F)	-50 to 85 (-58 to 185)
Storage Temperature, Å°C(Å°F)	-50 to 85 (-58 to 185)
Package Quantity	100

Notes

Other Documentation

Screw M8 x 65 mm (2.56 in) for metal plug

S-865-1



All information contained in the present datasheet is subject to confirmation at time of ordering