

Clamps for fire protection installation



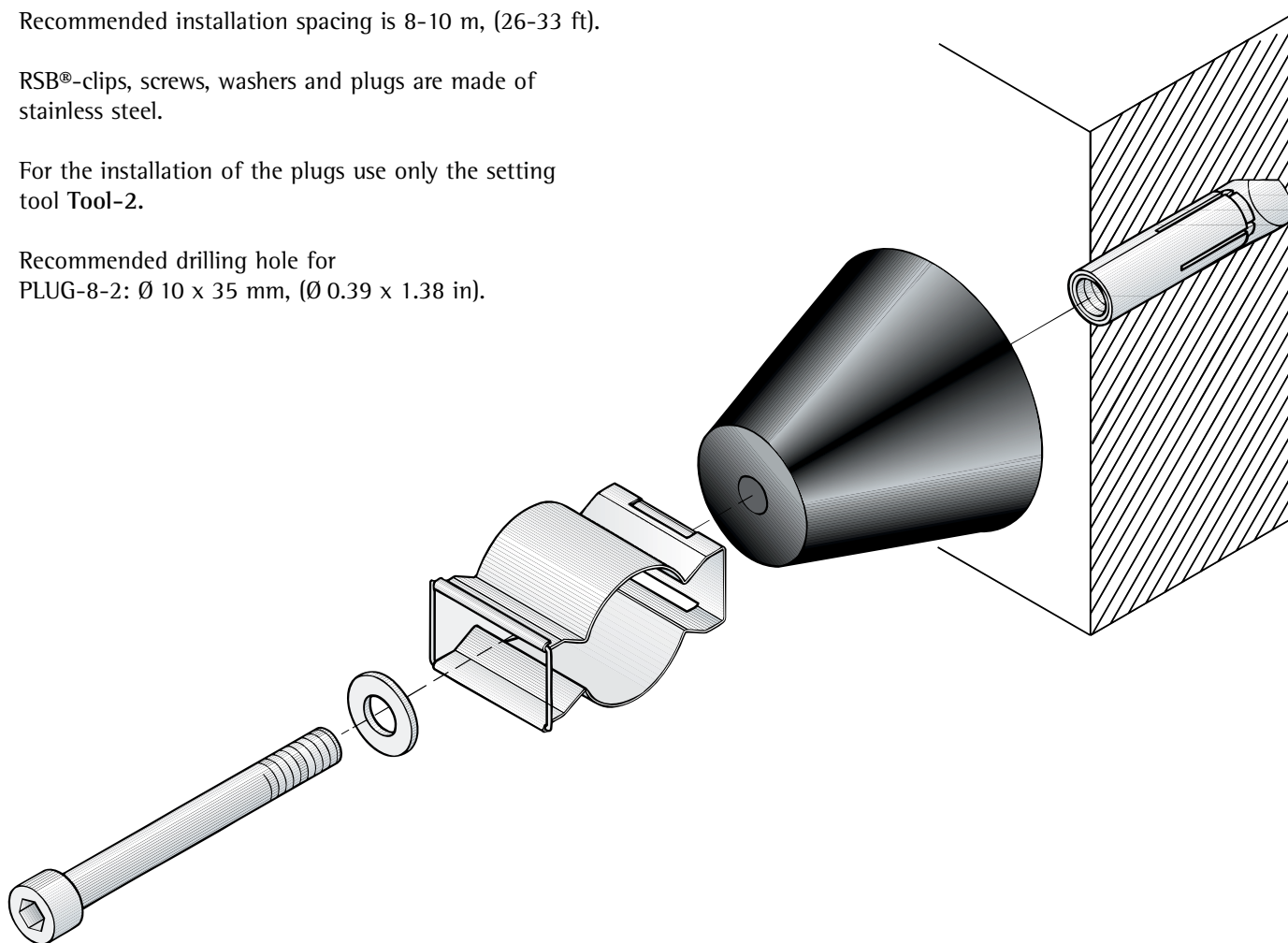
Wall installation

Recommended installation spacing is 8-10 m, (26-33 ft).

RSB®-clips, screws, washers and plugs are made of stainless steel.

For the installation of the plugs use only the setting tool Tool-2.

Recommended drilling hole for PLUG-8-2: Ø 10 x 35 mm, (Ø 0.39 x 1.38 in).



Cable size	type	RSB-clip	Round base*	Installation with metal plug		
				screw	plug	washer
1/2"	ALF, RCF, RLK	RSB-12	RB-50-4	S-865-1	PLUG-8-2	W-84-1
			RB-80-4	S-895-1		
5/8"	RLF, RAY, RLK	RSB-58	RB-50-4	S-865-1	PLUG-8-2	W-84-1
			RB-80-4	S-895-1		
7/8"	RLF, RAY, RCF, RLK	RSB-78	RB-50-4	S-865-1	PLUG-8-2	W-84-1
			RB-80-4	S-895-1		
1 1/4"	RLF, RAY, RCF, RLK, RLV	RSB-114	RB-50-4	S-865-1	PLUG-8-2	W-84-1
			RB-80-4	S-895-1		
1 5/8"	RLF, RAY, RLK, RLV, RCF	RSB-158-001	RB-50-4	S-865-1	PLUG-8-2	W-84-1
			RB-80-4	S-895-1		
		RSB-158	RB-50-4	S-865-1		

* The hole of the round base has to be drilled to Ø 8.5 mm (Ø 0.36 in) before mounting the screw.