

## Safe and efficient installation of RADIAFLEX® cable with clic-clamps.

Simple mounting of cables by using wall plugs and screws. Simply push in by hand, clamp will grip and lock by applying slight pressure.

### Material clic-clamp:

Polyamide black, halogen free, fire class UL94HB

### Round Base:

Polypropylene, black, halogen free, fire class UL94HB

### Screw:

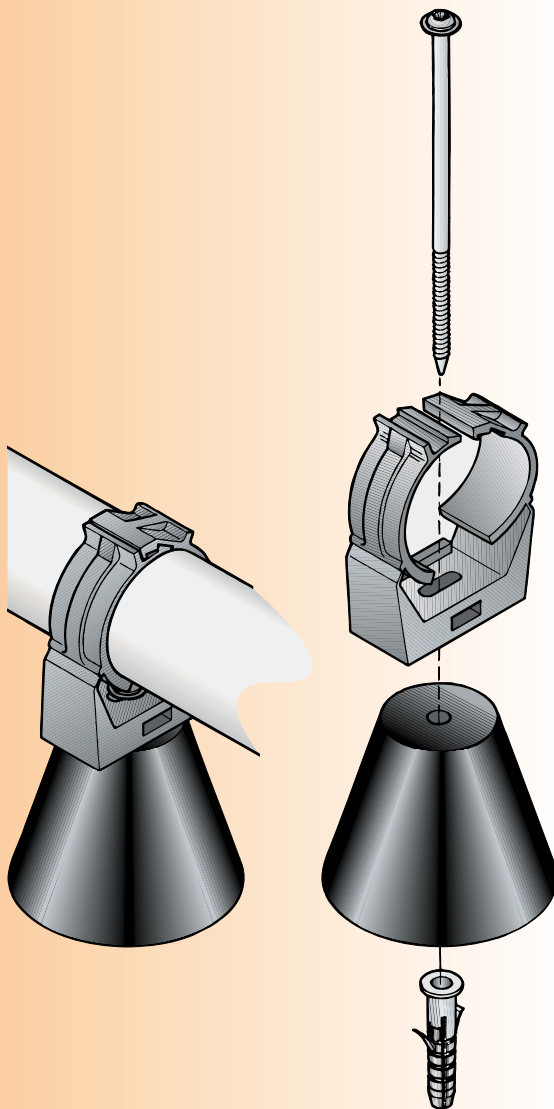
stainless steel A4

### Operating Temperature:

-40° C to 85° C (-40° F to 176° F)

### Tool Required:

Torx T25



Round base RB-50-4:	50 mm (2") in height
Round base RB-80-4:	80 mm (3.15") in height
Screw SC-4595-1:	4.5 x 95 mm (0.18 x 3.74 in)
Screw SC-45125-2:	4.5 x 125 mm (0.18 x 4.92 in)
Drilling hole for plug-6-1:	Ø 6 x 35 mm (Ø 0.24 x 1.38 in)
Screw SC-468-1:	M4 x 68 mm (M4 x 2.68 in)
Screw SC-498-1:	M4 x 98 mm (M4 x 3.86 in)
Drilling hole for plug-4-1:	Ø 6 x 30 mm (Ø 0.24 x 1.18 in)

For clamp spacing see page 57.

For alternative Fastening material see page 65.

Cable size	type	Clic-clamp	Round base	Install. with plastic plug		Install. with metal plug		Overall height mm (in)
				screw	plug	screw	plug	
1/2"	ALF, RCF	CC-12-2	RB-50-4	SC-4595-1	PLUG-6-1	SC-468-1	PLUG-4-1	80 (3.15)
	RLK		RB-80-4	SC-45125-2		SC-498-1		110 (4.33)
1/2"	RSF	CC-12-5*	RB-50-4	SC-4595-1	PLUG-6-1	SC-468-1	PLUG-4-1	80 (3.15)
5/8"	RLF, RAY	CC-58-2	RB-50-4	SC-4595-1	PLUG-6-1	SC-468-1	PLUG-4-1	90 (3.54)
	RLK		RB-80-4	SC-45125-2		SC-498-1		120 (4.72)
7/8"	RLF, RAY, RCF	CC-78-2	RB-50-4	SC-4595-1	PLUG-6-1	SC-468-1	PLUG-4-1	99 (3.90)
	RLK		RB-80-4	SC-45125-2		SC-498-1		129 (5.08)
1 1/4"	RLF, RAY, RCF	CC-114-2	RB-50-4	SC-4595-1	PLUG-6-1	SC-468-1	PLUG-4-1	110 (4.33)
	RLK, RLV		RB-80-4	SC-45125-2		SC-498-1		140 (5.51)
1 5/8"	RLF, RAY, RCF	CC-158-2	RB-50-4	SC-4595-1	PLUG-6-1	SC-468-1	PLUG-4-1	123 (4.84)
	RLK, RLV		RB-80-4	SC-45125-2		SC-498-1		153 (6.02)

\*colour light grey