



CELLFLEX® Factory-Fit Jumper Assembly, 7-16 DIN Male / 7-16 DIN Female

Radio Frequency Systems' CELLFLEX® Factory-Fit Jumpers feature specially designed connectors which are soldered-on in a strictly controlled industrial process to ensure industry leading performance for today's high-performance wireless systems. The connector design and manufacturing process has been optimized to produce premium VSWR and IM levels. Injection molded boots provide reliable and repeatable additional sealing level and strain relief. Our facilities produce and stock all popular lengths as required by the industry, and can deliver custom lengths with premium VSWR and IM levels on request.



7M7FS12-0150FFP

FEATURES / BENEFITS

- ➔ **Stable premium VSWR, outstanding and consistent intermodulation performance**
Improved network performance, reduces the number of dropped calls and avoids revenue loss
- ➔ **Waterproof to IP 68**
No downtime risk, secures revenue.
- ➔ **Jumper label is serialized**
Ensure traceability.
- ➔ Available with standard "J" or flame retardant "JFN" jacket types
Usable in all applications.
- ➔ **Compliant to RoHS (EU) and CRoHS (China)**
Usable on a global basis.

Technical Features

STRUCTURE

Cable Type		1/2" Superflexible Foam
Jumper Type		Factory-Fit (Premium)
Connector A		7-16 DIN Male
Center Contact Connector A		Brass, Silver plated
Outer Contact Connector A		Brass, Trimetal plated
Coupling Nut Connector A		Hexagon nut, Nickel plated
Connector B		7-16 DIN Female
Center Contact Connector B		Spring bronze, Silver plated
Outer Contact Connector B		Brass, Trimetal plated
Dielectric		PTFE
Gasket		Silicone rubber
Jacket		Black Polyethylene

MECHANICAL SPECIFICATIONS

Length	m (ft)	1.5 (4.9)
Minimum Bend Radius	mm (in)	32 (1.25)

TESTING AND ENVIRONMENTAL

Sealing class		IP68
---------------	--	------

ELECTRICAL SPECIFICATIONS

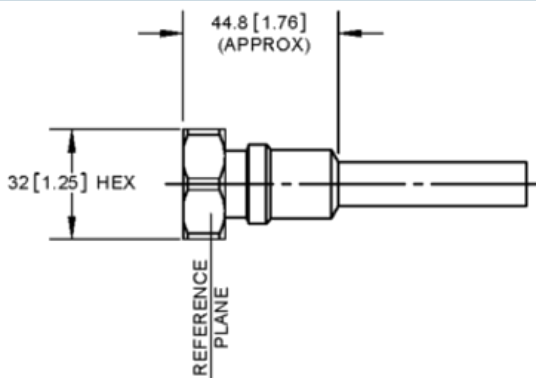
Intermodulation, 3rd Order	dBc	-159 (typical)
VSWR, Return Loss; typical	VSWR (dB)	1.065 (30) @ 410 - 470 MHz 1.065 (30) @ 698 - 1000 MHz 1.065 (30) @ 1710 - 1990 MHz 1.065 (30) @ 2000 - 2200 MHz 1.083 (28) @ 2200 - 2700 MHz

TEMPERATURE SPECIFICATIONS

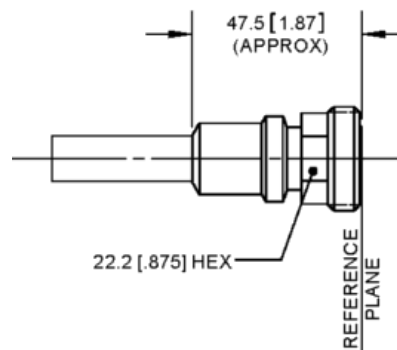
Installation Temperature	°C (°F)	-40 to 60 (-40 to 140)
Operation Temperature	°C (°F)	-50 to 85 (-58 to 185)
Storage Temperature	°C (°F)	-70 to 85 (-94 to 185)



CELLFLEX® Factory-Fit Jumper Assembly, 7-16 DIN Male / 7-16 DIN Female



7M_LEFT_FF_mold.png



7F_Right_FF_mold.png

External Document Links

Handling instruction

Notes