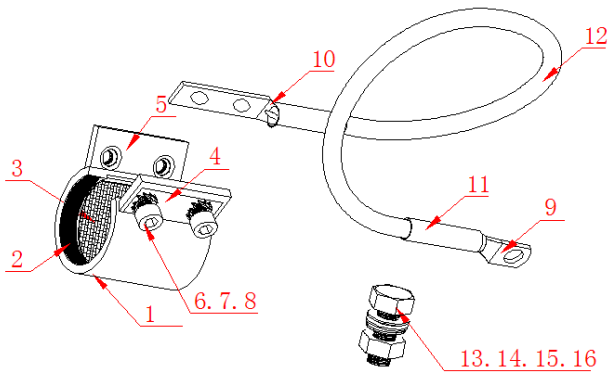




Technical Specifications

Grounding kit for RG-8



Item lists :

| number | parts name | specification | material | quantity |
|--------|---------------------------|----------------------------|-----------------------------------|----------|
| 1 | clamp(/cover rubber) | $\varnothing 10.2 \pm 0.2$ | 0.5mm SUS304(/EPDM) | 1pcs |
| 2 | rubber sealing bar | $\varnothing 4$ | butyl rubber | 2pcs |
| 3 | silver plated copperstrip | L=24 | 3.5×20 silver plated copper strip | 1pcs |
| 4 | washer I | 40×16×2 | 2mm SUS304 | 1pcs |
| 5 | washer II | 40×16×2 | 2mm SUS304 | 1pcs |
| 6 | inside hexagonal bolt | M6×20 | SUS304 | 2 pcs |
| 7 | serrated gasket) | $\varnothing 6$ | SUS304 | 2pcs |
| 8 | seal ring | $\varnothing 6$ | rubber | 2pcs |
| 9 | copper fitting 1 | 16mm ² -M8 | T2 copper pipe | 1pcS |
| 10 | copper fitting 5 | 16mm ² -2×M6 | T2 copper pipe | 1pcs |
| 11 | heat shrink tube | $\varnothing 10 \times 28$ | polyolefin | 2pcs |
| 12 | copper core | 16mm ² ×700mm | black Rohs BV cable | 1pcs |
| 13 | hex bolt | M8×25 | SUS304 | 1pcs |
| 14 | nut | M8 | SUS304 | 1pcs |
| 15 | flat washer | $\varnothing 8$ | SUS304 | 1pcs |
| 16 | Spring washer | $\varnothing 8$ | SUS304 | 1pcs |